



250 SERIES



PORTABLE/LABORATORY DENSITY METER

FOR LIQUEFIED PETROLEUM GASES (LPG)

DM-250.3 (LPG Di)
IN PROCESS TO EXCELLENCE

DM-250.3 (LPG Di) Overview

OLED display

Device controller with
Built-in Bluetooth

Probe safety body

Manometer

Outlet valve

Measuring chamber
housing

Inlet valve

Measuring chamber

Temperature
sensor

Density
sensor

Sensor principle of operation

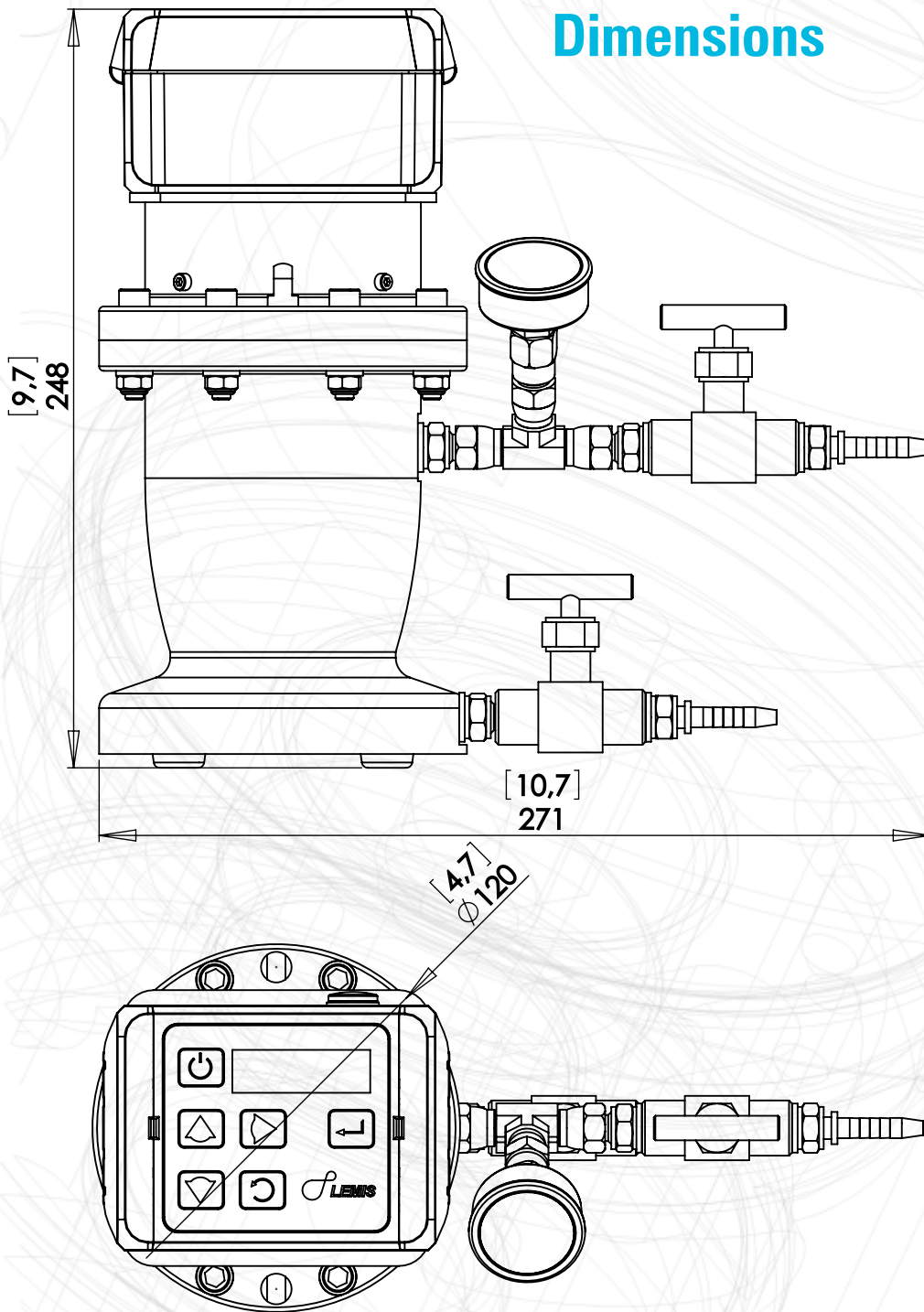
Detection of Density

The detection method is based upon the principle of detecting a change in resonance frequency.

Temperature Measurement

Temperature measurement is obtained by changes in electrical resistance of a platinum element.

Dimensions

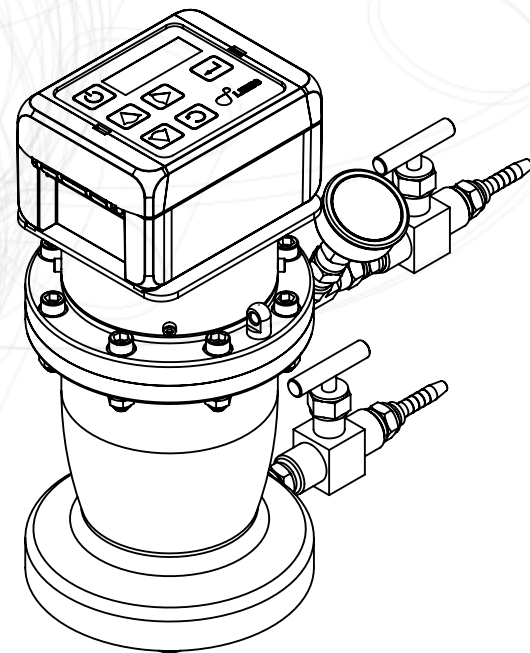


Advantages

- Direct density measurement
- Rigorous factory calibration and testing
- Automatic temperature compensation
- Small and compact
- Maintenance free
- Excellent correlation to ASTM D1657
- Readings on OLED Display
- Easy to operate
- Data transfer to PC

Applications

- LPG filling stations
- LPG fiscal transfer
- LPG storage
- Petroleum industry
- Concentration control at outlets and delivery points



Easy Measurement Visualization

Displays Date and Time of measurement



Displays Referred Density



Displays Density and Temperature

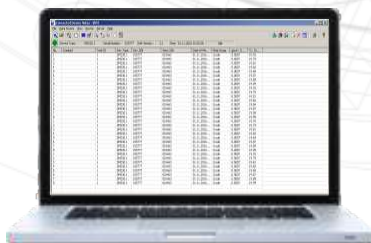


Displays Tank Nr. and Propan/n-butane mass concentration



Specifications

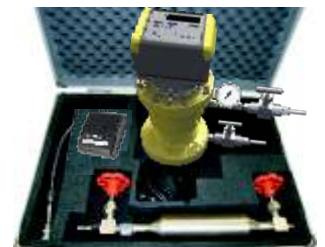
Measuring range:	
Density Standard calibration	0.475... 1.0 g/cm ³ (475... 1000 kg/m ³)
Temperature	-20... +60°C (-4... +140°F)
Accuracy:	
Density	±0.0003 or ±0.0005 g/cm ³ (±0.3 or ±0.5 kg/m ³)
Temperature	±0.1°C (±0.2°F) or ±0.2°C (±0.4°F)
Repeatability:	
Density	±0.00015 or ±0.00025 g/cm ³ (±0.15 or ±0.25 kg/m ³)
Temperature	±0.1°C (±0.2°F)
Resolution:	
Density	0.0001 g/cm ³ (0.1 kg/m ³)
Temperature	0.01°C (0.02°F)
Supported measuring units	
Ambient temperature	-20... +60°C (-4... +140°F)
Maximum Pressure	16 bar (1.6 MPa)
Testing Pressure	25 bar (2.5 MPa)
Sensor:	
Type	Vibrating element (Resonance principle)
Material	Stainless steel SS 316 L; NiSpan C; Hastelloy C22; Teflon
Intrinsically safe:	
Controller	ATEX II (2G) EEx ib [ia] IIB T4
Sensor	ATEX II 1G EEx ia IIB T4
Power supply	NiMH 3.6V-1500 mAh
Charging device	Input: AC 100-240 V AC; Output: 4,5 – 9,5 V DC Charge: 0.8 A
Operating time without charging	Appr. 12 hours
Continuous operating time	No less than 10 hours
Dimensions, weight:	
Density Meter	247 x 271 x 120 mm (9.7 x 10.6 x 4.72 in) 5.5 kg (12.1 lb)
Connections	Adapter ø6mm; other connections is customized
Temperature compensation	Automatic
Sample volume	250 ml
Data handling	OLED Display (2x12) with backlight Local memory up to 2000 results with date/time stamped Build in Bluetooth or USB for data transfer to printer or PC Optional Windows - based software
Delivery	Delivered in compact carrying case



Multifunctional software
compatible for Windows 7/8/10



Immediate printout of the
measurements by Bluetooth
No need for PC*



Delivered in compact carrying case

* optional

For more information please visit www.lemis-usa.com



USA

LEMIS USA, Inc

15556 Summit Park Dr. Suite 601

Montgomery

TX 77356, USA

Ph.: +1 281 465 8441

E-mail: info@lemis-usa.com