



**250 SERIES**



---

**PORTABLE ELECTRONIC THERMOMETER**

---

**PET-250.1**

***IN PROCESS TO EXCELLENCE***



### For Easy Distinguish:

Displays Time of measurement



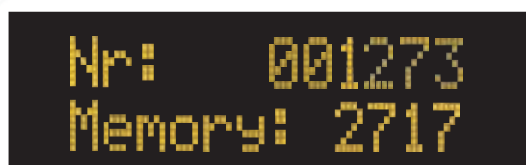
Displays Interface Level and Tank Nr



Displays Date of measurement

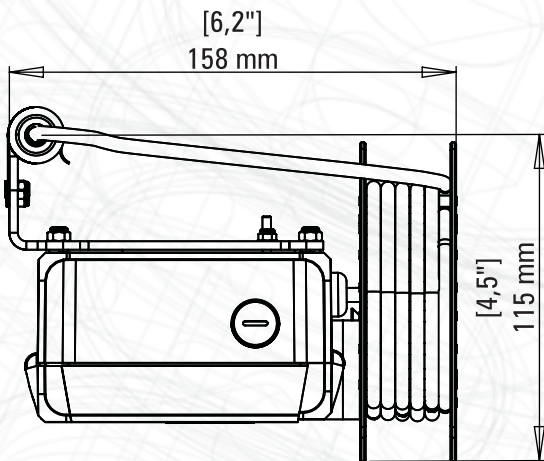
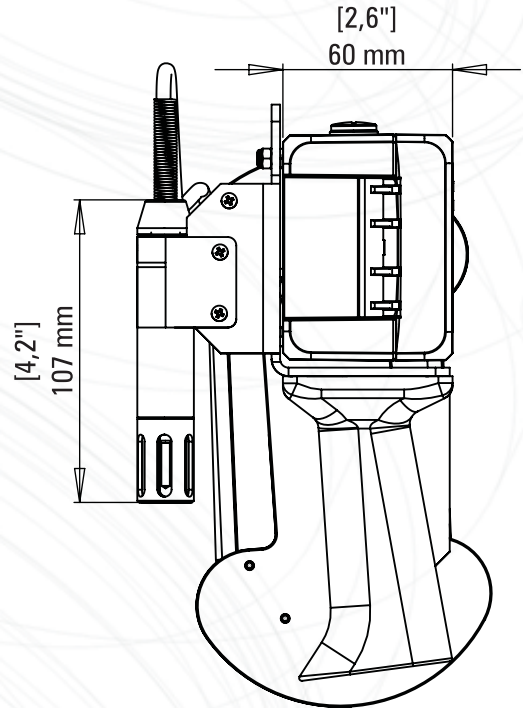
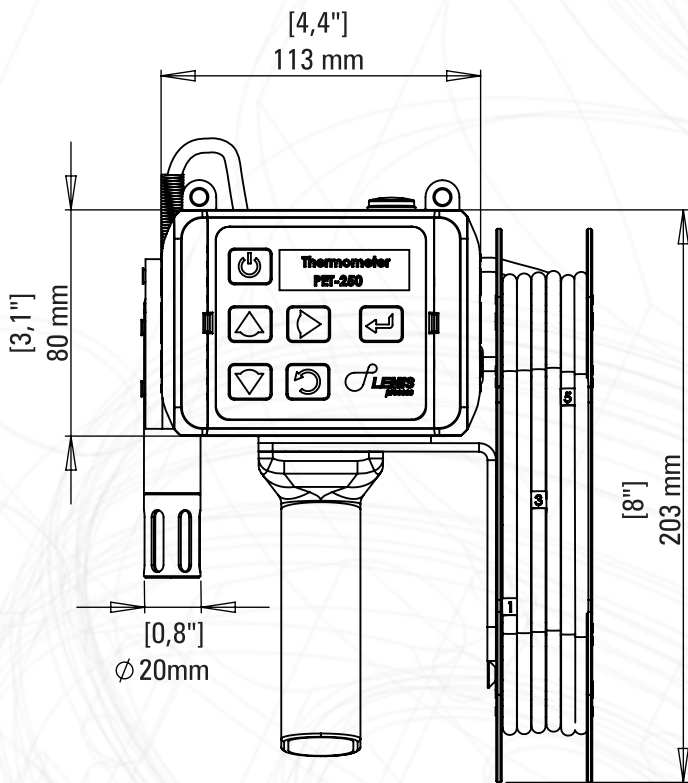


Displays Probe Nr and available memory





Device Dimensions



Cable replacement without recalibration

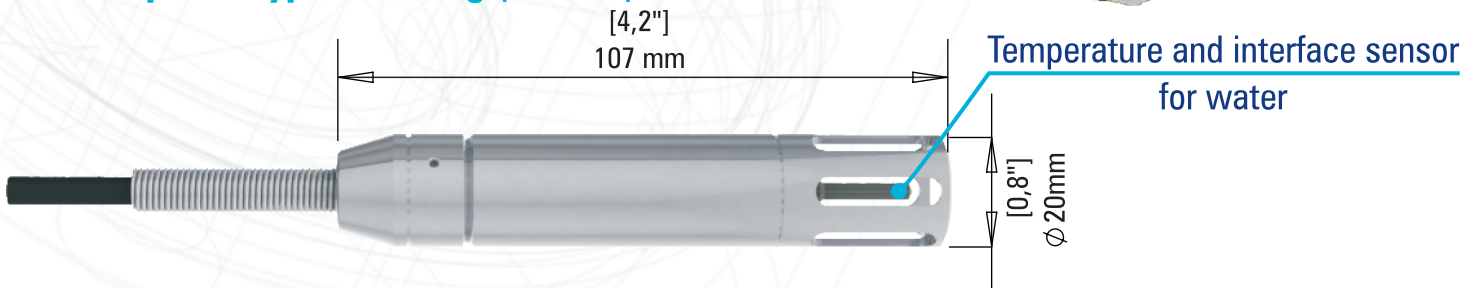
PET-250.1 use 4-cores technology, which remove necessity of cable conductivity changes from temperature compensation.

Operator can provide cable replacement without needs of new probe recalibration.

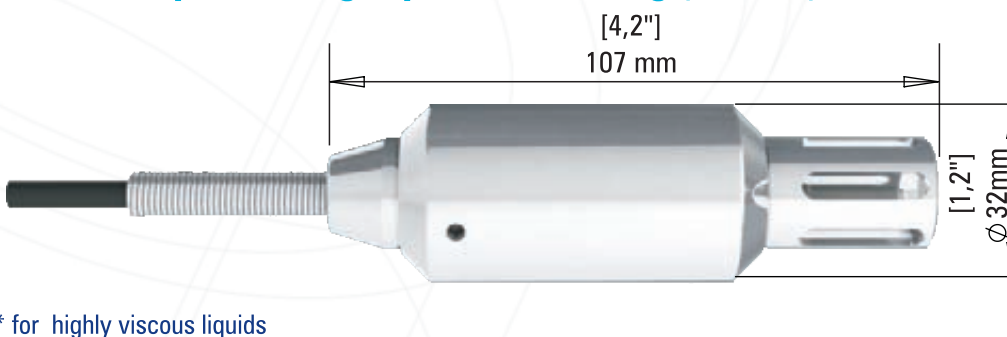
Extra weight probe - 0.22 kg (0.48 lb)\*



Standard probe type - 0.13 kg (0.28 lb)



Extra or Asphalt Weight probe - 0.35 kg (0.77 lb)\*



\* for highly viscous liquids

**Measuring range:**

Probe temperature range	-40... +200°C (-40... +392°F)
Ambient temperature range	-40... +50°C (-40... +122°F)

**Accuracy:**

Temperature (-40 to +130°C)	±0.1°C (±0.2°F)
-----------------------------	-----------------

**Repeatability (exceed API MPMS Chapter 7):**

Temperature (-40°C to +50°C)	±0.05°C (±0.2°F)
------------------------------	------------------

**Resolution:**

Temperature	0.1°C(0.2°F) or 0.01°C (0.02°F)
Temperature scale:	°C or °F selectable

**Cable**

Material	FEP Teflon jacket or PTFE
Cable length	6m /20 ft or 15m /50 ft
Markers	every 2,5 ft in imperial measurement system every 1 m in metric measurement system

**Sensor:**

Temperature sensor	PT-1000 element Class A
Material	Stainless steel SS 304

**Electronic box:**

Material	Antistatic Polyamide base
Power supply	NiMH 3.6V-2500 mAh rechargeable battery
Operating time without charging	Appr. 40 hours

**Dimensions:**

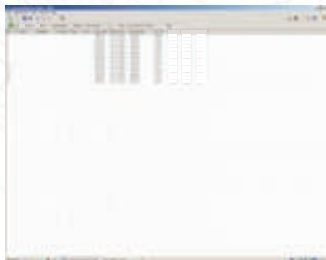
Controller	203 x 158 x115 mm (8.0 x 6.2 x 4.5")
Probe	107 x ø20 mm (4.2 x ø0.8")

**Intrinsically safe:**

Controller	ATEX II (2G) EEx ib [ia] IIB T4
Probe	ATEX II 1G EEx ia IIB T4
Weather rating	IP 67
Data handling	OLED Display (2x12) with backlight Local memory up to 3000 results
Data Transfer	Built-in Bluetooth

**\* Option**

Able to download the measurements to PC;  
Multifunctional software allows to proceed the  
measurements results in user-convenient form;  
Compatible for a Windows Vista/7/8/10.\*



Immediate printout of the measurements  
by bluetooth;  
No need for PC.\*



Delivered in compact carrying case



**Certifications:**



**Advantages**

- Multi-parameters save :
  - temperature
  - depth
  - date
  - time
- Fast measurements without sampling
- Economical and easy to operate
- Cable 4-cores technology
- Crash-proof design
- Temperature Profile

**Applications**

- Recommended Operation: API 7, Intl. Safety Guide For Oil Tankers and Terminals
- Gasoline fuel
- Diesel fuel
- Crude oils
- Lubricants etc.
- Custody Transfers
- Inventory Tank

**For more information please visit [www.lemis-usa.com](http://www.lemis-usa.com)**



**LEMIS USA, Inc**  
 15556 Summit Park Dr., Suite 601  
 Montgomery  
 TX 77356, USA  
 Ph.: +1 281 465 8441  
 E-mail: [info@lemis-usa.com](mailto:info@lemis-usa.com)