



## 250 SERIES

DM-250.1N - Density Meter

VM-250.1N - Viscosity Meter

VDM-250.1N - Density & Viscosity



---

# Portable Submersible Viscosity Meter

---

## VM-250.1N

*IN PROCESS TO EXCELLENCE*

# Principle of Determination

## Viscosity

Viscosity measurements employ the vibrating element sensor. This consists of a compact cylindrical sensor which is vibrated in the hoop mode which delivers balanced drive. This means that the sensor is virtually unique in being capable of being installed not just with a rigid mounting but also suspended on cables or using tape measures.

Viscosity is determined using the well established resonant frequency principle. By alternately driving the sensor into vibration at the upper and lower half power (3dB) frequencies the bandwidth can be determined, which is also a function of the dynamic viscosity of the fluid.

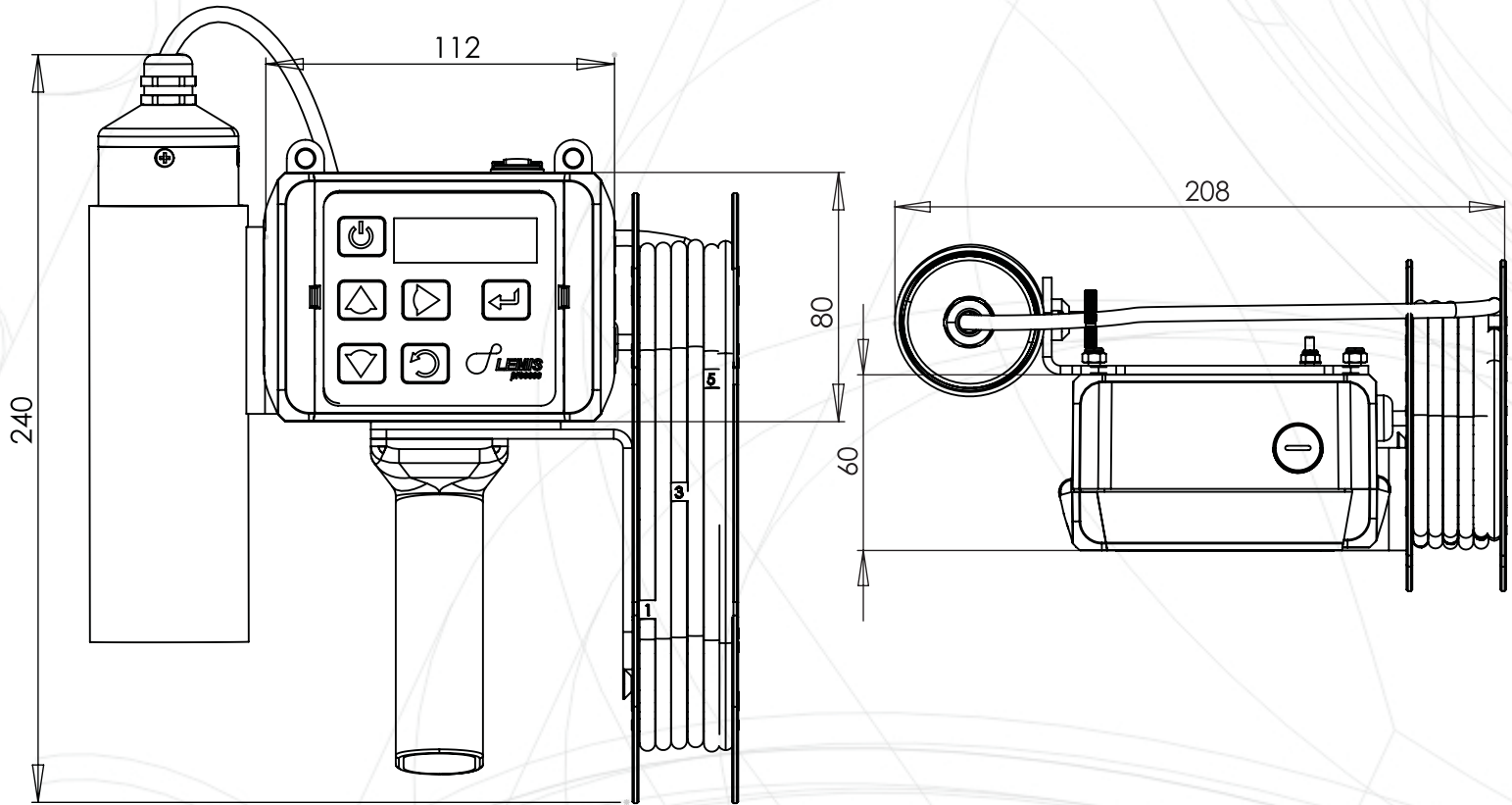
Thus a single sensor will report the dynamic viscosity and temperature (from an integral RTD sensor) and thus kinematic viscosity can also be determined.

By using calculations based on the ASTM D341 equations, the kinematic viscosity can be calculated at a reference temperature. Base density can be calculated based on the methods defined in the Manual of Petroleum Measurement Standards.

## VM-250.1N Overview



# Dimensions

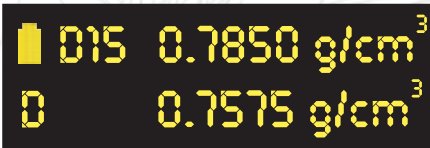


## Easy Measurement Visualization

### Density and Temperature



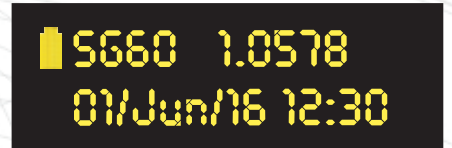
### Referred Density to 15°C



### Referred Density to 20°C



### Specific Gravity related to 60°F

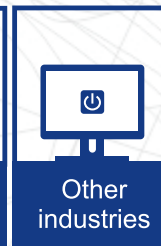


### Advantages

- Direct viscosity measurement
- Record spot viscosity and average per tank
- Automatic temperature compensation
- No sampling required
- ATEX, IEC Hazloc certification
- Safe operation, low maintenance
- At any depths up to 6 meters
- Economical and easy to operate
- Measures highly viscous liquids up to 2000 cP
- Rigid construction for heavy duty outdoor operation
- Local result storage through Bluetooth and USB data transfer

### Applications

- Petroleum industry
- Ethanol production
- Food & Beverages
- Chemical industry
- Cosmetic industries
- Pharmaceutical industry



# Specifications

## Measuring range:

Dynamic Viscosity	Up to 2000 mPa·s(cP)
Viscosity calibration	0,1-100 mPa·s(cP) 1-1000 mPa·s(cP) 1-2000 mPa·s(cP)
Temperature	-40... +85°C (-40... +185°F)

## Accuracy:

Dynamic viscosity	±0.5% of span
Temperature	±0.1°C (±0.2°F)

## Repeatability:

Viscosity	±0.00015 or ±0.00025 g/cm <sup>3</sup> (±0.15 or ±0.25 kg/m <sup>3</sup> )
Temperature	±0.1°C (±0.2°F)

## Supported measuring units

Dynamic Viscosity: mPa·s; cP  
Kinematic Viscosity: mm<sup>2</sup>/s; cSt  
Tables ASTM D 1250  
Alcohol Tables  
Temperature in °C or °F

Ambient temperature -40... +50°C (-40... +122°F)

Depth of submersion Depends from cable length

## Sensor:

Type	Vibrating element (Resonance principle)
Material	Stainless steel SS 316 L; NiSpan C; Hastelloy C22

## Hazardous environment Approvals

Controller	II 2G (1G) Ex ib [ia Ga] IIB T4 Gb
Sensor	II 1G Ex ia IIB T4 Ga

## Electronic box:

Material	Antistatic Polyamide base
Power supply	NiMH 3.6V-2500 mAh rechargeable battery
Operating time without charging	up to 24 hours

## Dimensions, weight:

Controller	240 x 208 x 120 mm (9.4 x 8.2 x 4.7")
Sensor	210 x ø45 mm (8.2 x ø1.7 in), 1 kg (2.2 lb)

Temperature compensation Automatic

Viscosity compensation Automatic

Data handling OLED Display (2x12) with backlight  
Local memory up to 3000 results  
Build in Bluetooth for data transfer to printer or PC

Delivery Delivered in compact carrying case

## \* Option



Multifunctional software allows to view results in a convenient user-friendly form;  
Compatible for a Windows 7/8/10\*



Immediate printout of the measurements by Bluetooth  
No need for PC\*



Delivered in compact carrying case

**For more information please visit [www.lemis-usa.com](http://www.lemis-usa.com)**



**LEMIS USA, Inc**  
15556 Summit Park Dr., Suite 601  
Montgomery  
TX 77356, USA  
Ph.: +1 281 465 8441  
E-mail: [info@lemis-usa.com](mailto:info@lemis-usa.com)

