



FM-50N



VORTEX FLOWMETER

FOR NATURAL GASES, OTHER GASES, LIQUIDS AND SOLUTIONS

Advantages

- Wide dynamic range
- Hazardous area approvals
- Rigorous factory calibration and testing
- High accuracy
- Complete automation software package
- No moving parts
- Easy installation and maintenance free

Applications

- Flow and volume measurements
- Fiscal control
- Petroleum industry
- Filling stations

IN PROCESS TO EXCELLENCE

Specifications

Type of products	Gases, liquids
Process temperature range	-40...+85°C (-40°...+185°F)
Pressure range	Up to 25 MPa
Pipeline diameter	25...100 mm (1...4")
Accuracy for liquids	±0.5%
Accuracy for gases	Up to 1.0%
Output	1000 Hz; 4-20 mA; RS485
Ex marking	ATEX II 1/2G Ex ia IIB T4; IECEx Ex ia IIB T4 Ga /Gb
Power supply	110-260V AC; 10-30V DC
Ambient temperature range	-40...+85°C (-40°...+185°F)
Weather rating	IP65

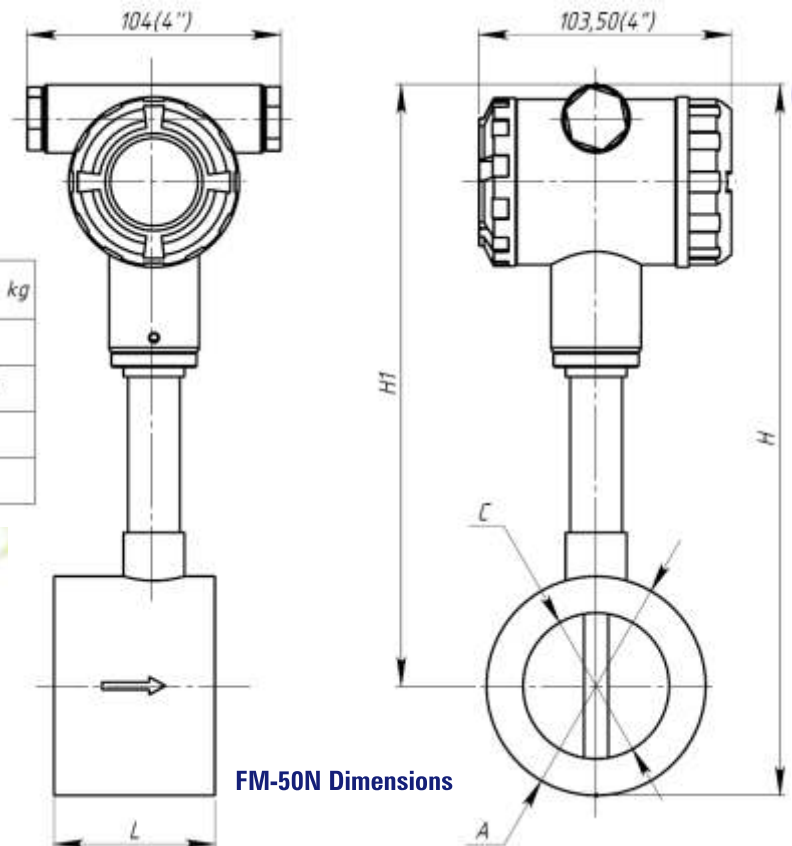
Flow ranges

Diameter, mm (")	Liquids, m ³ /h (ft ³ /h)	Gases, m ³ /h (ft ³ /h)
25 (1)	0.4 - 16 (14 - 565)	3.5 - 120 (124 - 4 240)
50 (2)	1.4 - 64 (49 - 2 260)	14 - 480 (500 - 16 940)
80 (3)	4 - 160 (140 - 5 650)	36 - 1 230 (1 270 - 43 420)
100 (4)	6 - 250 (210 - 8 830)	60 - 1 920 (2 120 - 67 780)

An accurate calibration

Calibration of **LEMIS process** FM-50N meters is performed in-house according ISO 9001:2015 quality assurance program and by using calibration materials that are traceable to national standards. In-house calibration and testing is performed with rigorous quality protocol for every standard model of the sensor. **LEMIS process** installation packs allow simple, switch-and-go field installation. When ordered with **LEMIS process** installation pack, the sensor has mounted at factory, tested and calibrated already fitted assuring best performance and eliminating the need for in-situ calibration for most of applications.

Version	A, mm(in)	L, mm(in)	H, mm(in)	H1, mm(in)	C, mm(in)	Mass, kg
025 (1")	65(2,6")	66(2,6")	347(14,7")	315(12,4")	25 (1")	7
050 (2")	90(3,5")	85(3,3")	375(14,76")	330(13")	50 (2")	12,5
080 (3")	120(4,7")	110(4,3")	395(15,55")	335(13,2")	80 (3")	20
100 (4")	150(5,9")	110(4,3")	440(17,3")	365(14,4")	100 (4")	27



FM-50N Dimensions

For more information please visit www.lemis-usa.com



LEMIS USA, Inc
 15556 Summit Park Dr., Suite 601
 Montgomery
 TX 77356, USA
 Ph.: +1 281 465 8441
 E-mail: info@lemis-usa.com

